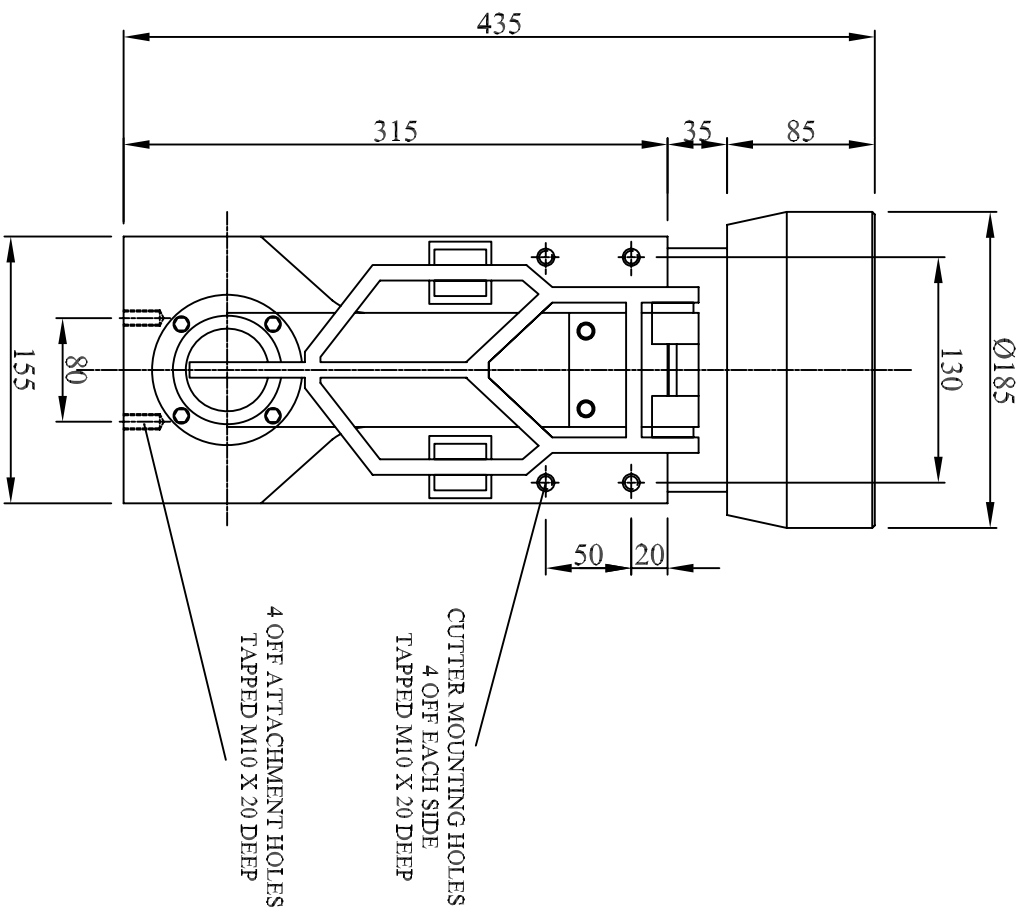
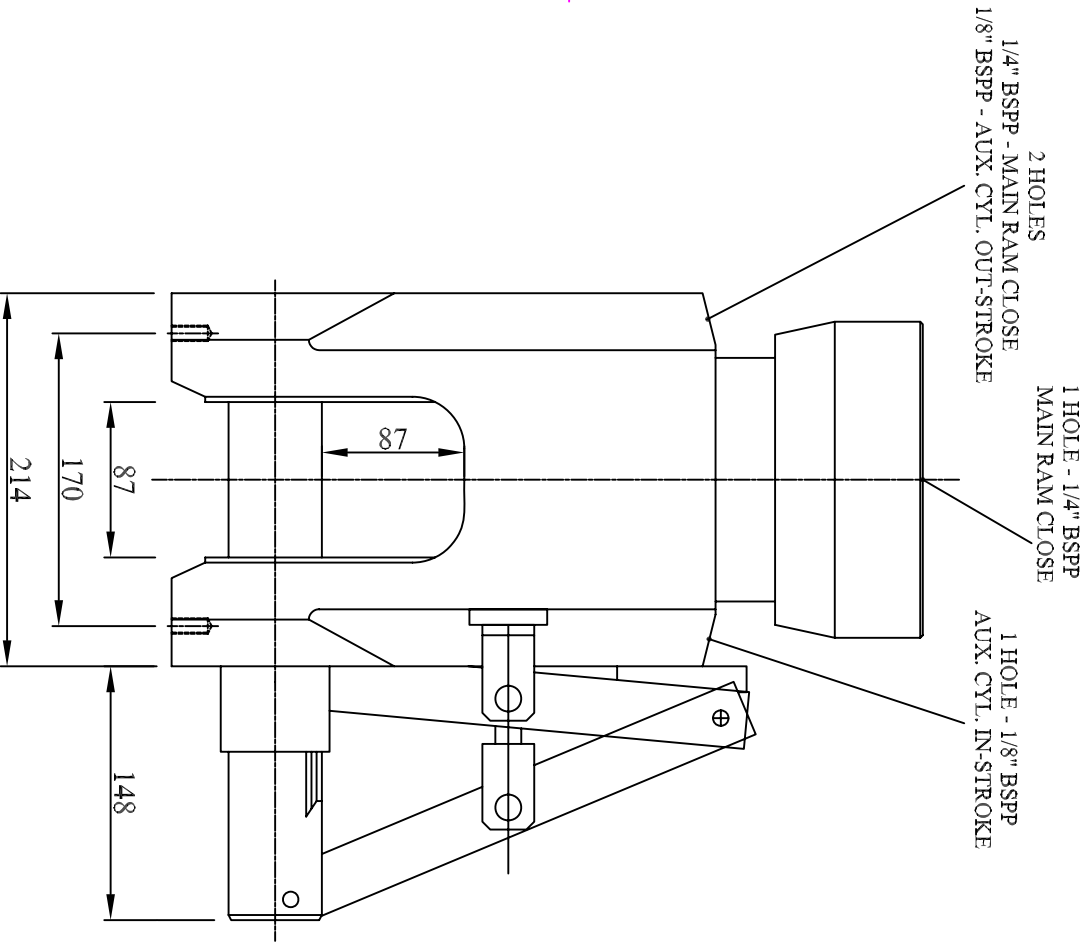



NOTES

ALL DIMENSIONS ARE IN MILLIMETRES.
WEIGHT IN AIR 35 KG.

CUTTER NORMALLY SUPPLIED C/W HP MALE Q/D ON CUTTER CLOSE PORT,
LP MALE Q/D ON CUTTER OPEN PORT & TWO OFF 8 FOOT LONG AUXILIARY
CYLINDER OPERATING HOSES TERMINATED IN NO 4 JIC FEMALE FITTINGS.



Designed by P.J. THORNTON	Checked by J.MOWAT	Approved by - date PJT-21/06/00	Filename 980297	Date 21/06/00	Scale NTS
 NORTHFIELD HYDRAULIC SERVICES			RCV75 WIRE ROPE CUTTER		
980297			Edition 01	Sheet 1/1	