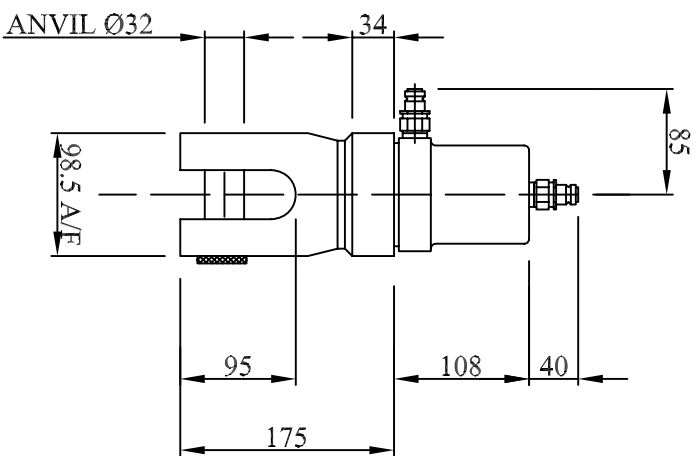
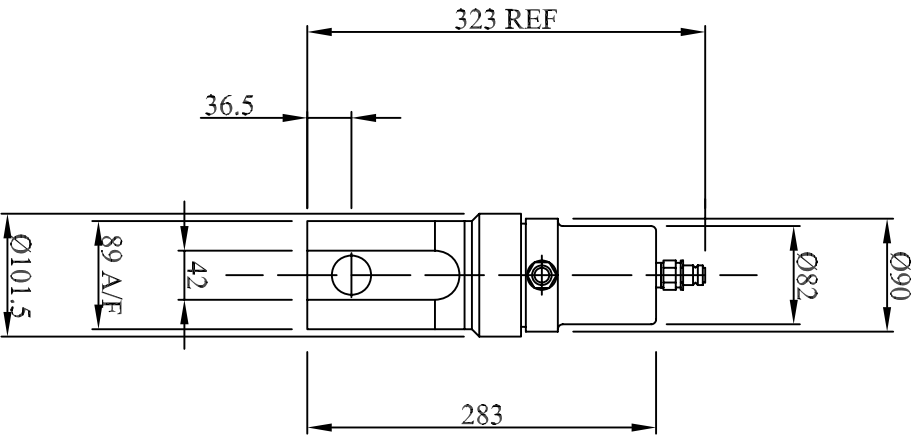


NOTES

ALL DIMENSIONS ARE IN MILLIMETRES.
WEIGHT IN AIR 11 KG.

HIGH PRESSURE UNIT



HIGH PRESSURE UNIT



**NORTHFIELD
HYDRAULIC
SERVICES**

Designed by
P.J.HORNTON

Checked by
J.MOVAT

Approved by - date
PJT-11/05/00

Filename
980135

Date
11/05/00

Scale
NTS

WC38 DOUBLE ACTING CUTTER
HIGH PRESSURE - 700 BAR MAX WP

980115

Edition
01
Sheet
1/1