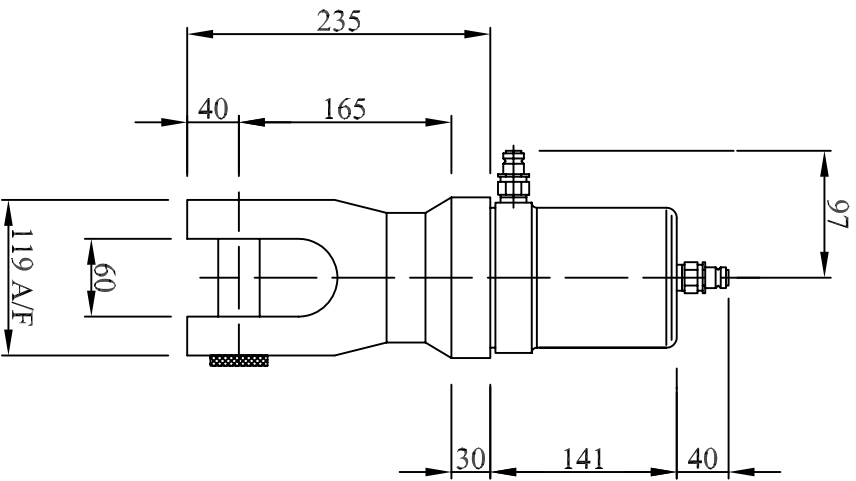
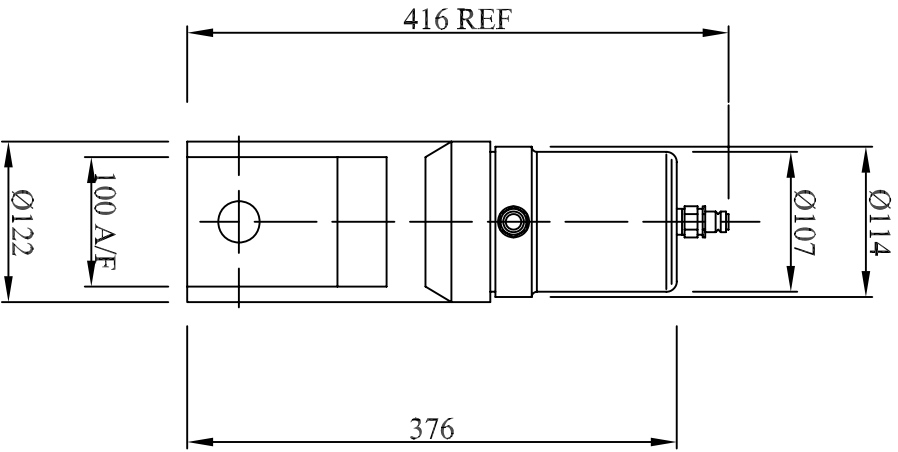



NOTES

ALL DIMENSIONS ARE IN MILLIMETERS.
WEIGHT IN AIR 20 KG.



Designed by P.J. THORNTON	Checked by J.MOWAT	Approved by - date PJT-10/05/00	Filename 980119	Date 10/05/00	Scale NTS
 NORTHFIELD HYDRAULIC SERVICES			WC54 DOUBLE ACTING CUTTER 980119		