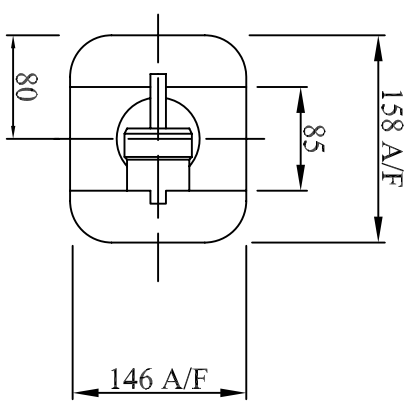
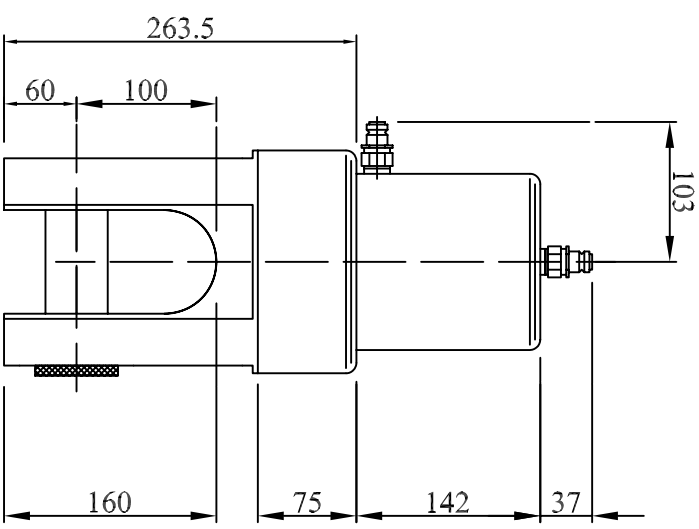
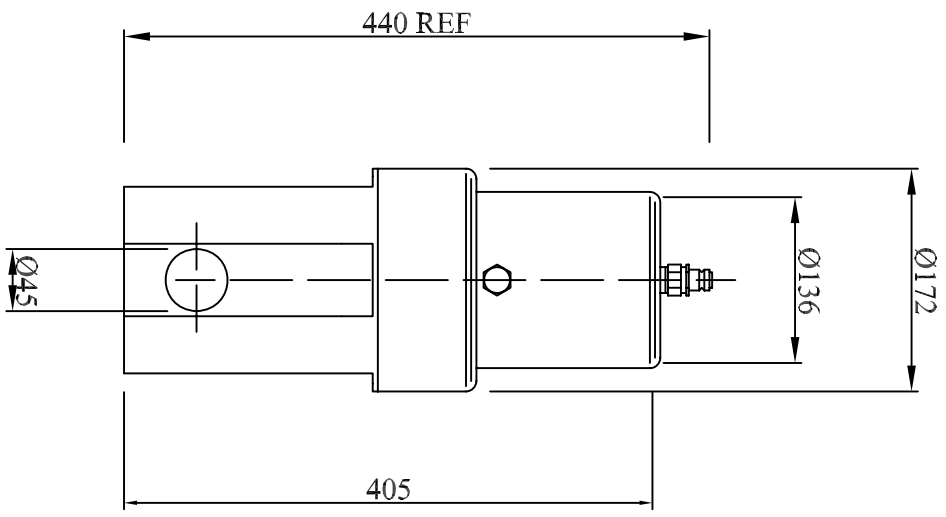



NOTES

ALL DIMENSIONS ARE IN MILLIMETERS.  
WEIGHT IN AIR 40 KG.



Designed by P.J. THORNTON	Checked by J.MOWAT	Approved by - date PJT-21/10/03	Filename 980131	Date 21/10/03	Scale NTS
 <b>NORTHFIELD HYDRAULIC SERVICES</b>			WC75 DOUBLE ACTING CUTTER		
			HEAVY DUTY		
			980131 / 980483		