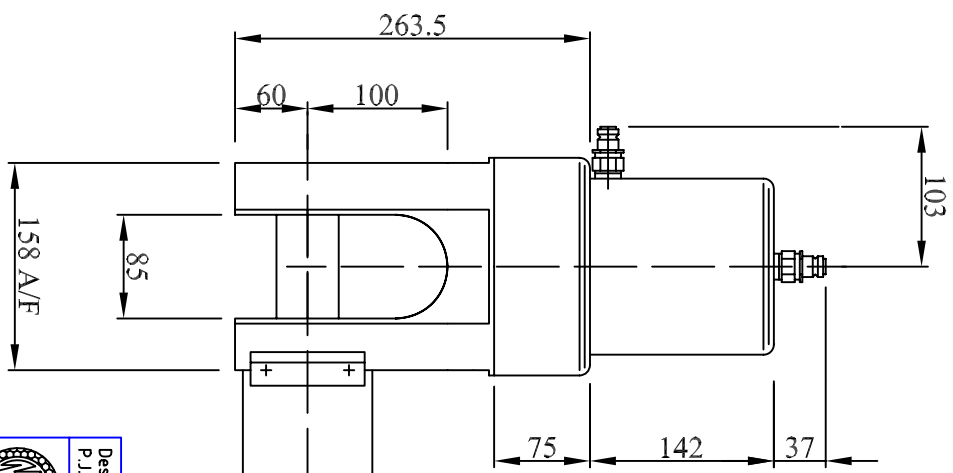
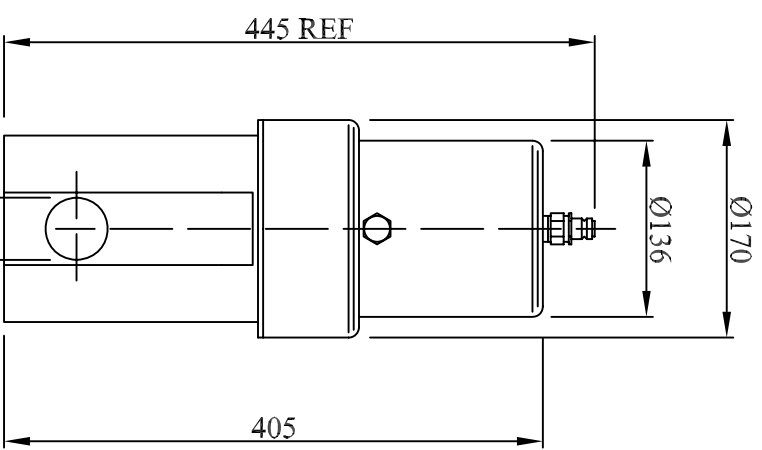
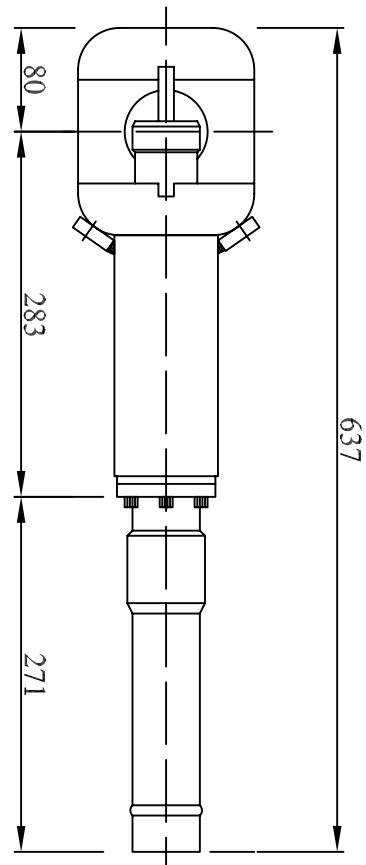


NOTES

ALL DIMENSIONS ARE IN MILLIMETERS.

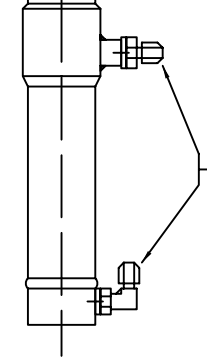
UNIT SUPPLIED COMPLETE WITH 2 OFF 8 FOOT LONG ANVIL OPERATING CYLINDER OPEN AND CLOSE HOSES TERMINATED WITH No. 4 FEMALE JIC STAINLESS STEEL COUPLINGS.


WEIGHT IN AIR 46 KG.



**Cutter Cylinder Max WP**  
**10000 PSI (700 Bar)**  
**Anvil Operating Cylinder Max WP**  
**3000 PSI (210 BAR)**

2 OFF NO. 4 JIC ANVIL  
 OPEN/CLOSE PORTS



Designed by P.J. THORNTON	Checked by J.MOWAT	Approved by - date PJT-21/10/03	Filename 980131M	Date 21/10/03	Scale NTS
 <b>NORTHFIELD HYDRAULIC SERVICES</b>			WC75 HEAVY DUTY DOUBLE ACTING CUTTER C/W ANVIL OPERATING CYLINDER		
980131M / 980483M			Edition 03	Sheet 1/1	