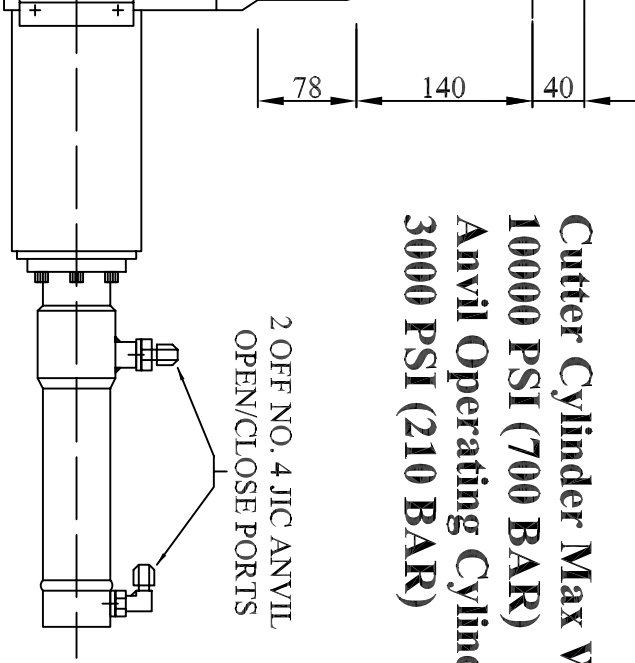
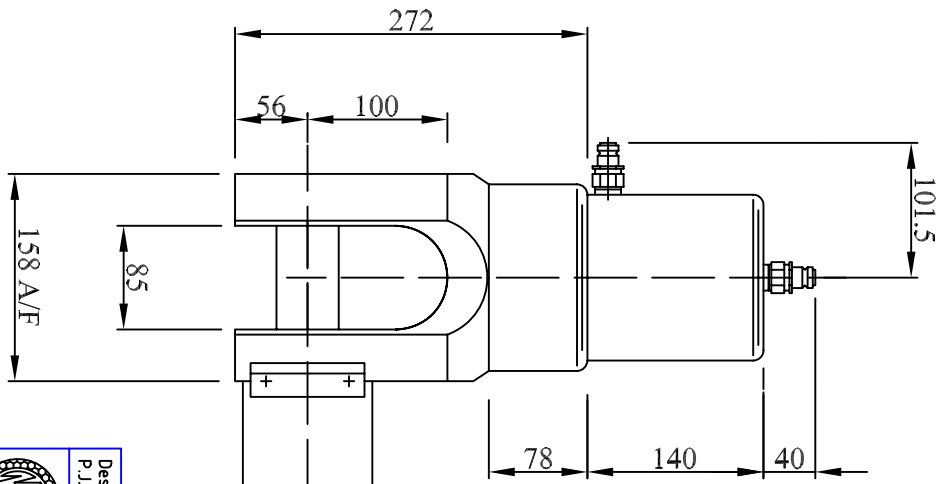
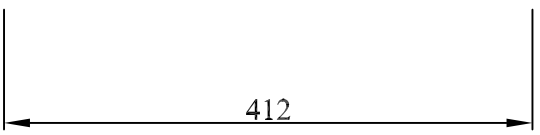
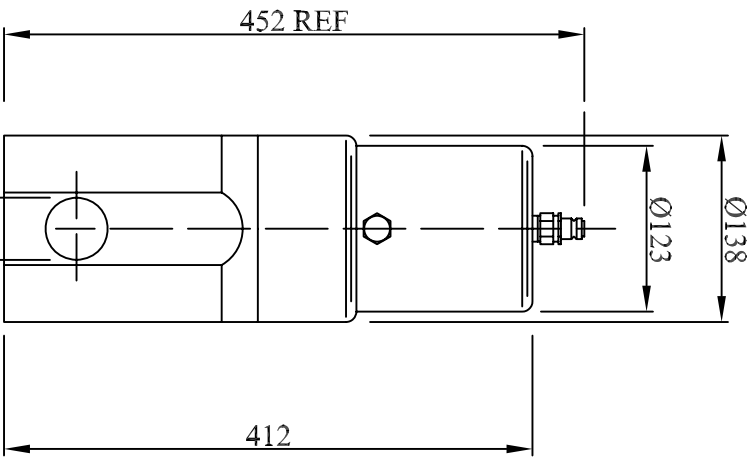
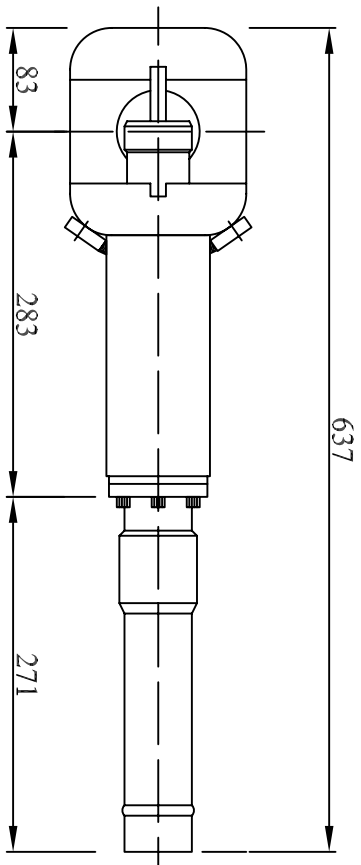


NOTES


ALL DIMENSIONS ARE IN MILLIMETERS.

UNIT SUPPLIED COMPLETE WITH 2 OFF 8 FOOT LONG ANVIL OPERATING CYLINDER OPEN AND CLOSE HOSES TERMINATED WITH No. 4 FEMALE JIC STAINLESS STEEL COUPLINGS.

WEIGHT IN AIR 40 KG.



Cutter Cylinder Max WP
10000 PSI (700 BAR)
Anvil Operating Cylinder Max WP
3000 PSI (210 BAR)

Designed by P.J. THORNTON	Checked by J.MOWAT	Approved by - date PJT-10/05/00	Filename 980121M	Date 10/05/00	Scale NTS
 NORTHFIELD HYDRAULIC SERVICES			WC75 DOUBLE ACTING CUTTER C/W ANVIL OPERATING CYLINDER 980121M / 980480M		
				Edition 02	Sheet 1/1