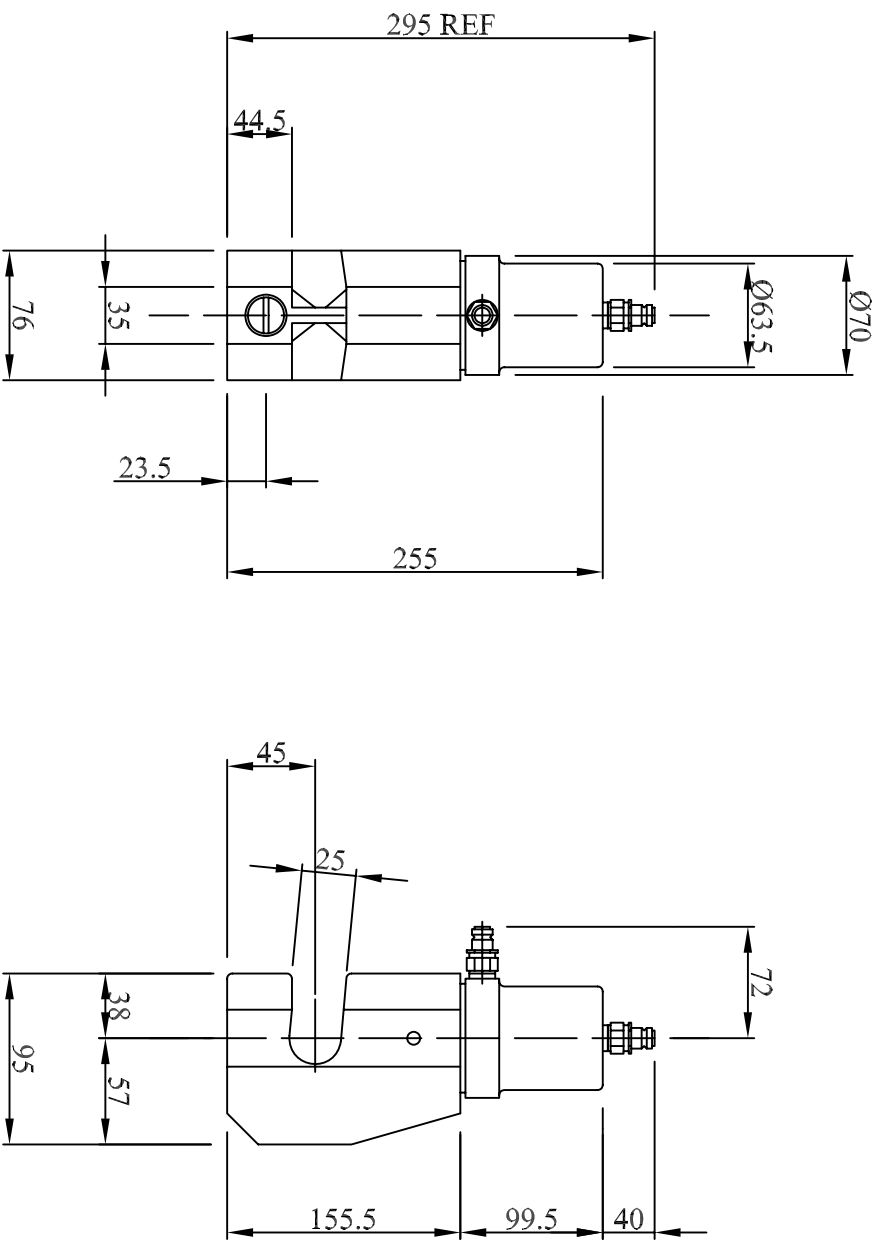



NOTES

ALL DIMENSIONS ARE IN MILLIMETRES.
WEIGHT IN AIR 8 KG.



Designed by P.J. THORNTON	Checked by J.MOWAT	Approved by - date PJT-11/05/00	Filename 980135	Date 11/05/00	Scale NTS
 NORTHFIELD HYDRAULIC SERVICES			WCO22 DOUBLE ACTING CUTTER		
			980111		