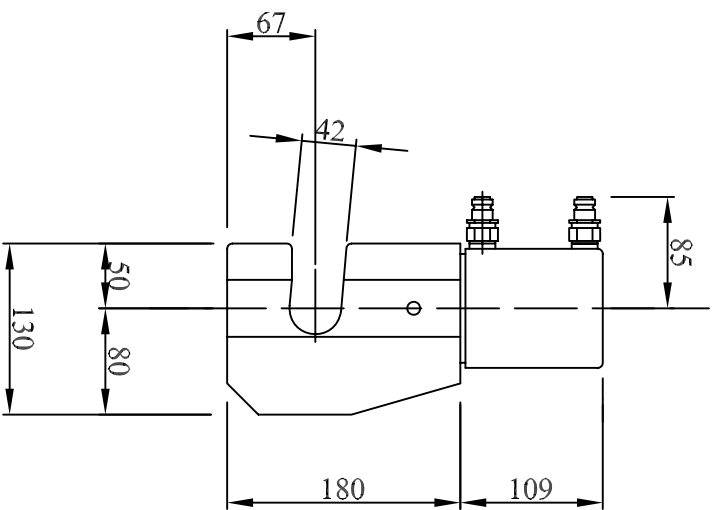
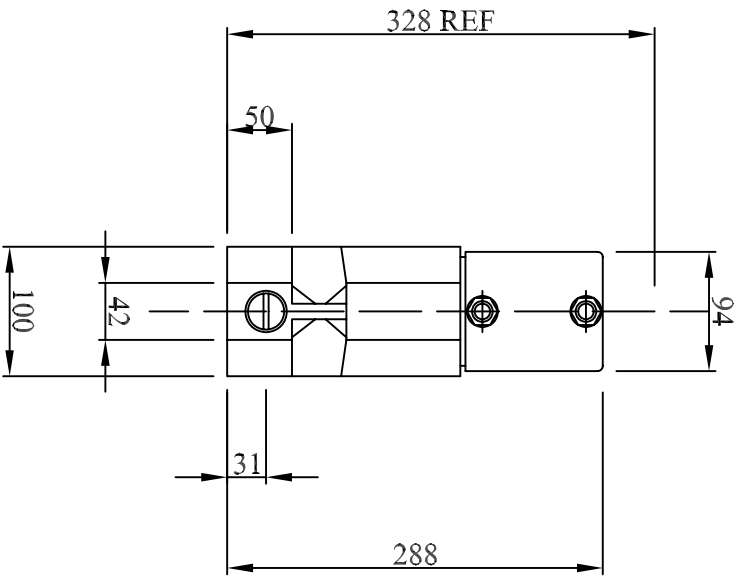


NOTES

ALL DIMENSIONS ARE IN MILLIMETRES.
WEIGHT IN AIR 21 KG.

HIGH PRESSURE UNIT



HIGH PRESSURE UNIT

Designed by P.J. THORNTON	Checked by J.MOWAT	Approved by - date PJT-11/05/00	Filename 980135	Date 11/05/00	Scale NTS
NORTHFIELD HYDRAULIC SERVICES			WCO38 DOUBLE ACTING CUTTER HIGH PRESSURE - 700 BAR MAX WP		
980123 / 980474			Edition 01	Sheet 1/1	