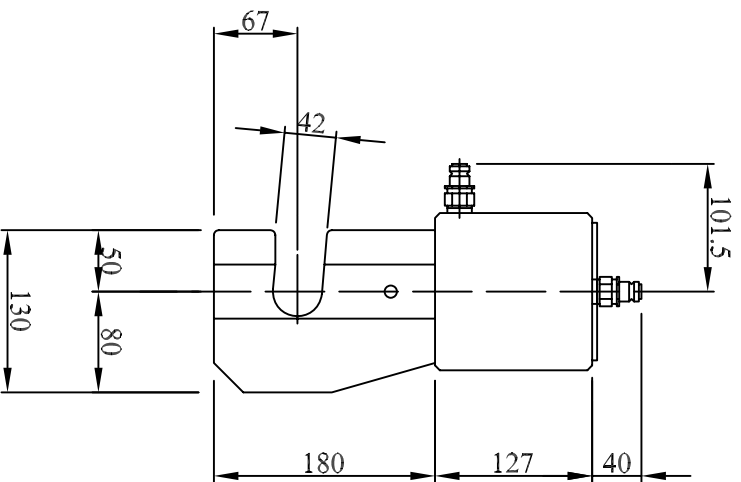
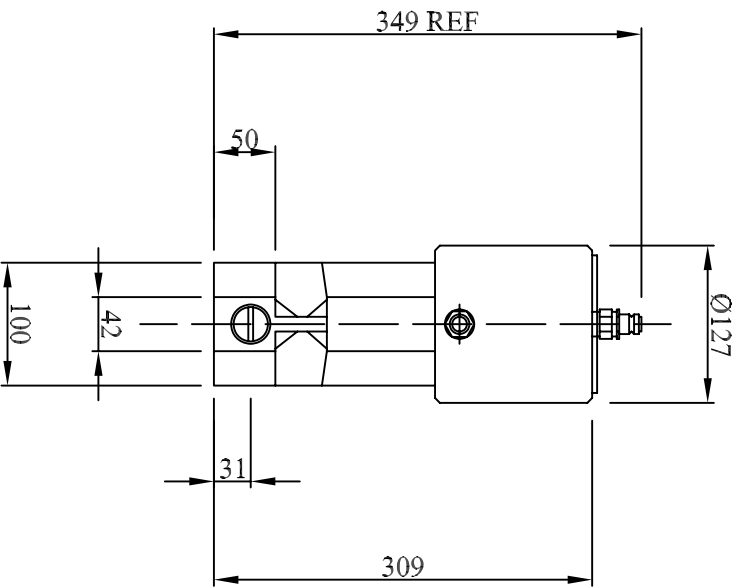


NOTES
 ALL DIMENSIONS ARE IN MILLIMETERS,
 WEIGHT IN AIR 21 KG.

CAN ALSO BE SUPPLIED WITH 3/8" JIC MALE
 FITTINGS IN PLACE OF THE Q/D COUPLINGS.



LOW PRESSURE UNIT



**NORTHFIELD
 HYDRAULIC
 SERVICES**

Designed by P.J.HORNTON	Checked by J.MOVAT	Approved by - date PJT-11/05/00	Filename 980135	Date 11/05/00	Scale NTS
WCO38 DOUBLE ACTING CUTTER LOW PRESSURE - 220 BAR MAX WP			980135 / 980470	Edition 01	Sheet 1/1