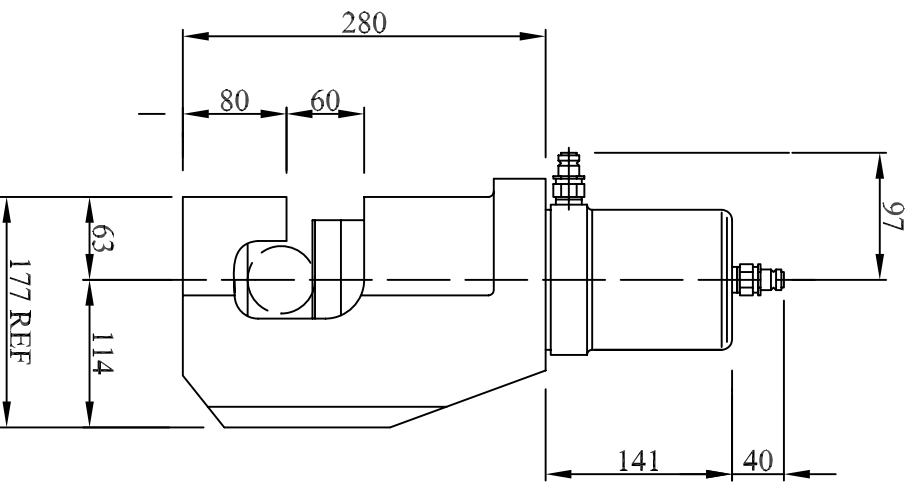
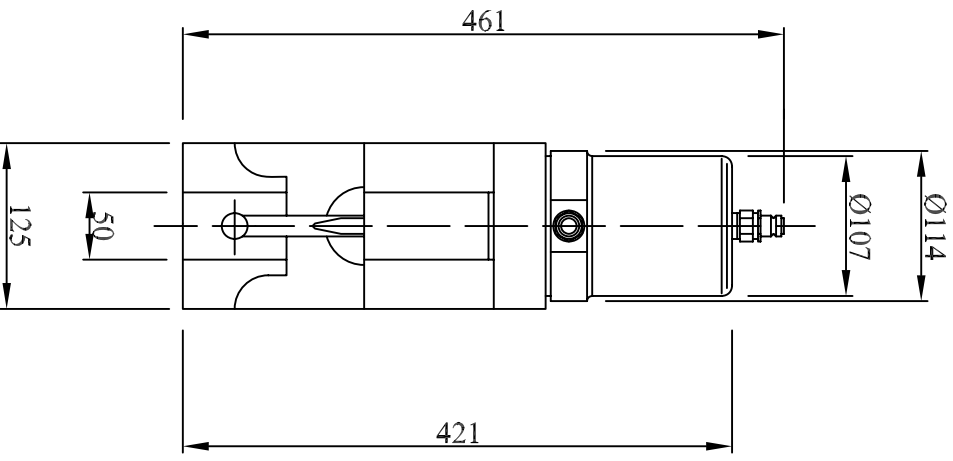



NOTES

ALL DIMENSIONS ARE IN MILLIMETRES.
WEIGHT IN AIR 37 KG.



Designed by P.J. THORNTON	Checked by J.MOWAT	Approved by - date PJT-10/05/00	Filename 980210	Date 10/05/00	Scale NTS
 NORTHFIELD HYDRAULIC SERVICES			WC054 DOUBLE ACTING CUTTER		
980210 / 980485			Edition 01	Sheet 1/1	