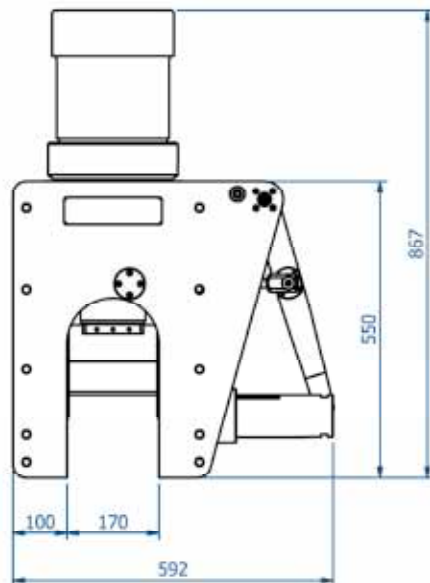
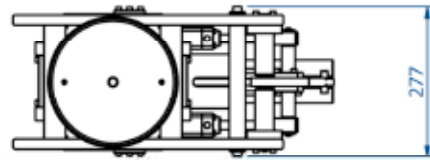


# RCV155

## WIRE ROPE CUTTER

WEBTOOL



- Heavy duty wire rope cutter designed for use in severe working conditions
- Hydraulically operated anvil for easy ROV deployment
- Robust plated steel and stainless steel construction
- All steel components are electroless nickel plated to resist corrosion
- Long blade life ensures that tool maintenance is kept to a minimum
- Optional intensifier panel is available
- Cutting capacity – Maximum  $\varnothing 155\text{mm}$  wire rope of  $1880\text{N}/\text{mm}^2$  grade
- Can be used at any water depth
- Suitable for cutting wire rope, cables and umbilicals
- 690 bar maximum input pressure for main cylinder
- 210 bar max input pressure for anvil
- Approx weight – 240kg
- Standard tool is shown above. Bespoke and custom designs to suit special applications are available on request



**Northfield Hydraulic Services Limited**  
Suite 2 Riverside Business Centre  
North Esplanade West  
Aberdeen AB11 5RJ

Tel: +44 (0)1224 213 500  
Fax: +44 (0)1224 213501  
Email: [info@n-h-s.co.uk](mailto:info@n-h-s.co.uk)

[www.n-h-s.co.uk](http://www.n-h-s.co.uk)