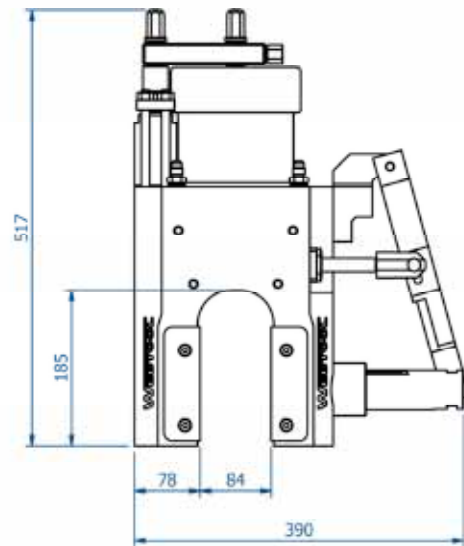
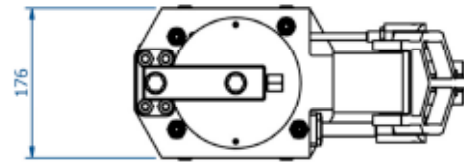


RCV75HD

WIRE ROPE CUTTER

WEBTOOL



- Heavy duty wire rope cutter designed for use in severe working conditions
- Hydraulically operated anvil for easy ROV deployment
- Lightweight aluminium construction
- Long blade life ensures that tool maintenance is kept to a minimum
- Integrated interlock ensures that the blade cannot activate until the anvil is fully deployed
- Integrated hydraulic intensifier and internal relief valve
- Cutting capacity – Maximum $\varnothing 75\text{mm}$ wire rope of 1960N/mm^2 grade
- Can be used at any water depth
- Suitable for cutting wire rope, cables and umbilicals
- 210 bar max input pressure
- Approx weight – 43kg
- Standard tool is shown above. Bespoke and custom designs to suit special applications are available on request



Northfield Hydraulic Services Limited
Suite 2 Riverside Business Centre
North Esplanade West
Aberdeen AB11 5RJ

Tel: +44 (0)1224 213 500
Fax: +44 (0)1224 213501
Email: info@n-h-s.co.uk

www.n-h-s.co.uk