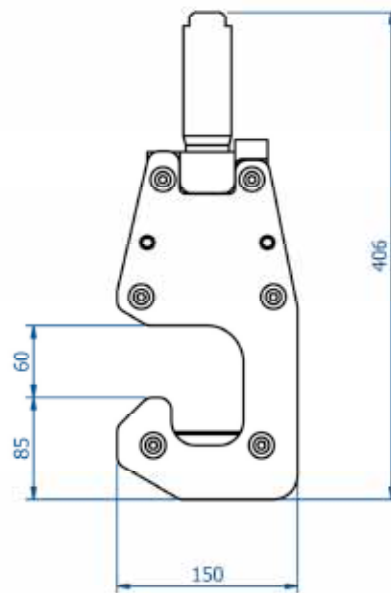


SL54

SOFTLINE CUTTER

WEBTOOL



- Hydraulically operated soft and fibre line cutting tool
- Lightweight aluminium and stainless steel construction
- Diver or ROV operable design
- Quick and efficient operation
- Long blade life ensures that tool maintenance is kept to a minimum
- Cutting capacity – Maximum $\varnothing 54$ mm fibre rope
- Can be used at any water depth
- Maximum operating pressure 210 bar
- Approx weight – 4.7kg
- Standard tool is shown above. Bespoke and custom designs to suit special applications are available on request



Northfield Hydraulic Services Limited
Suite 2 Riverside Business Centre
North Esplanade West
Aberdeen AB11 5RJ

Tel: +44 (0)1224 213 500
Fax: +44 (0)1224 213501
Email: info@n-h-s.co.uk

www.n-h-s.co.uk