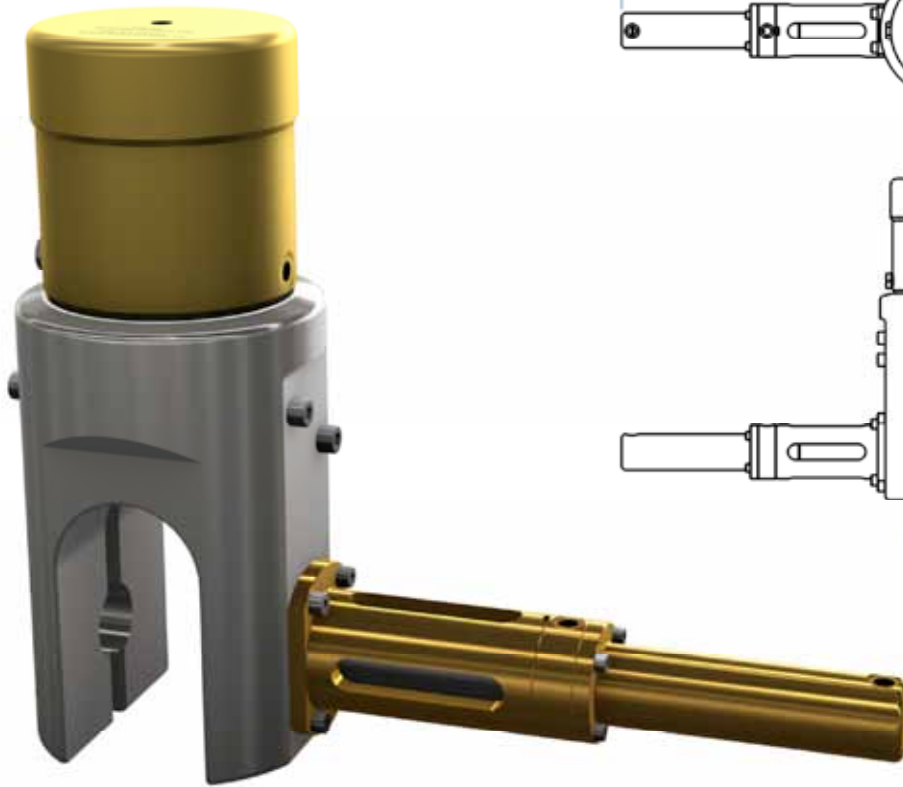


WCS75HDZ

WIRE ROPE CUTTER

WEBTOOL



- Heavy duty wire rope cutter designed for use in severe working conditions
- Hydraulic anvil allows for easy positioning and operation by ROV
- Corrosion resistant stainless steel construction
- Long blade life ensures that tool maintenance is kept to a minimum
- Optional intensifier panel is available
- Can be used at any water depth
- Approx weight – 45kg
- Cutting capacity – Maximum $\varnothing 75\text{mm}$ wire rope of $1770\text{N}/\text{mm}^2$ grade (IPS)
- Note - For cutting higher grades of wire (EIPS and EEIPS) we recommend the use of the RCV75HD cutter
- Suitable for cutting wire rope, cables and umbilicals
- 700 bar main cylinder pressure
- 210 bar auxiliary cylinder pressure
- Standard tool is shown above. Bespoke and custom designs to suit special applications are available on request



Northfield Hydraulic Services Limited
Suite 2 Riverside Business Centre
North Esplanade West
Aberdeen AB11 5RJ

Tel: +44 (0)1224 213 500
Fax: +44 (0)1224 213501
Email: info@n-h-s.co.uk

www.n-h-s.co.uk